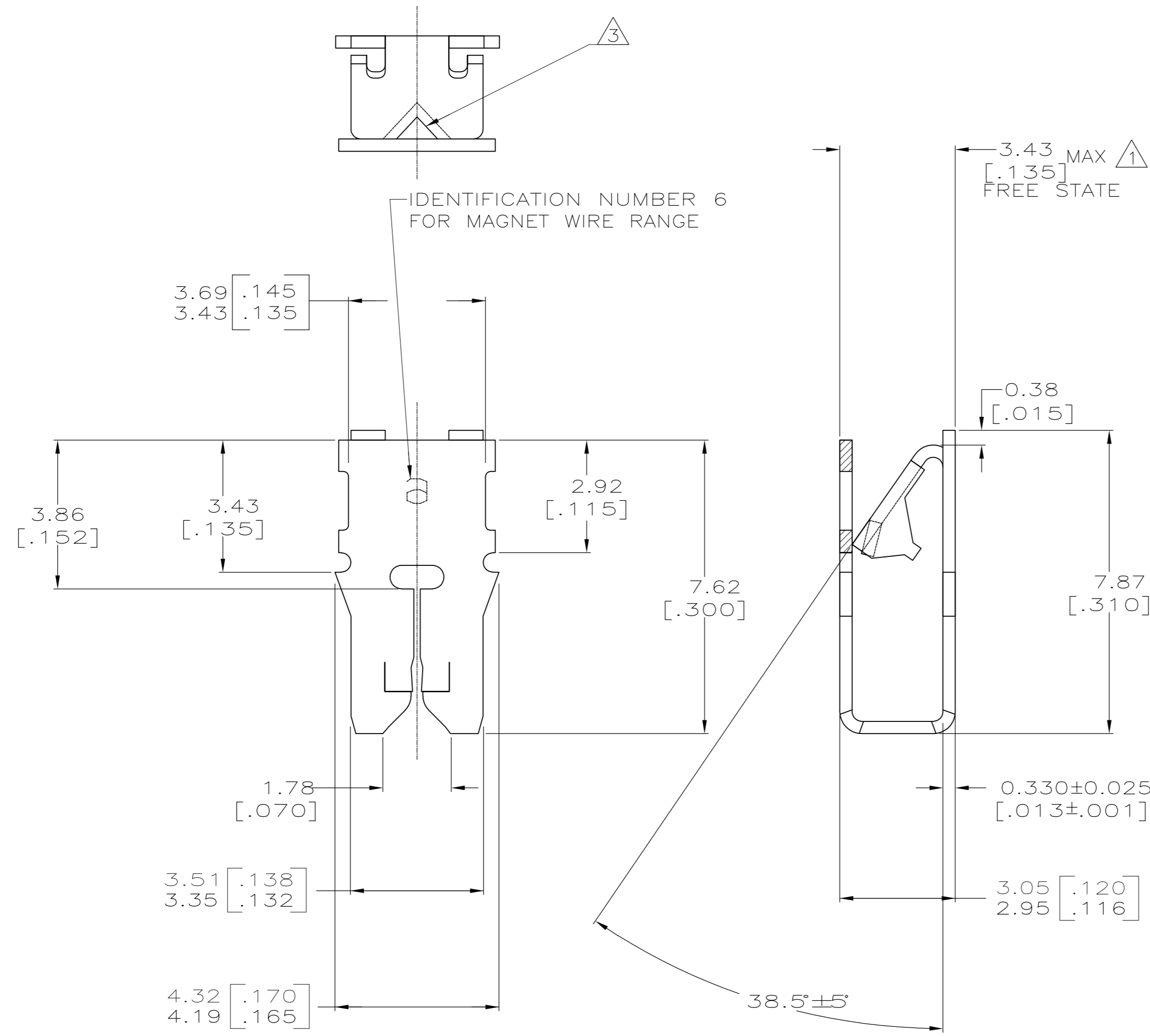
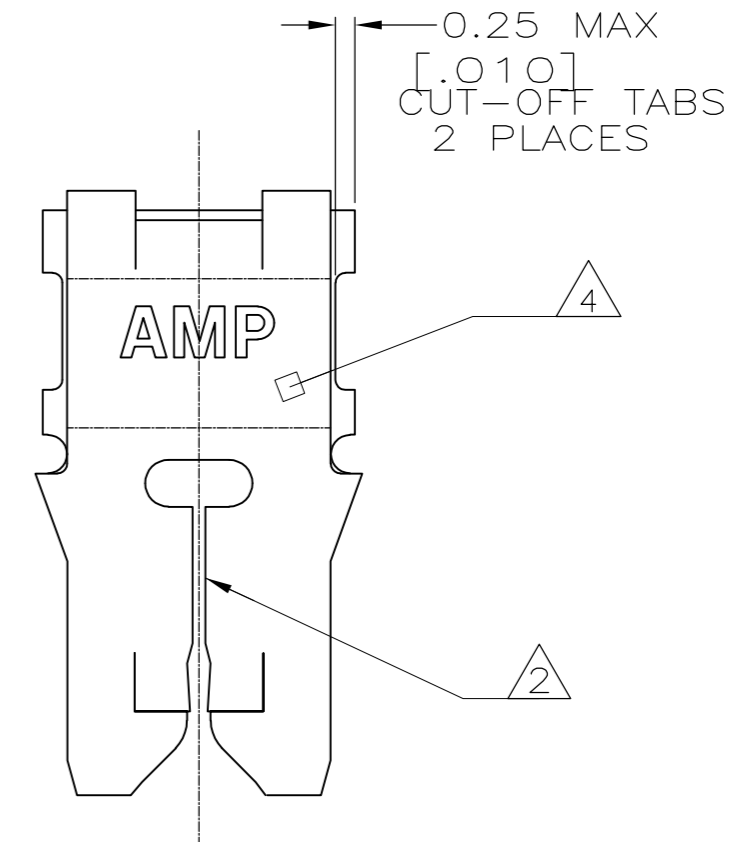


THIS DRAWING IS UNPUBLISHED. RELEASED FOR PUBLICATION
 © COPYRIGHT - By - ALL RIGHTS RESERVED.

LOC		DIST		REVISIONS			
P	LTR	DESCRIPTION		DATE	DWN	APVD	
	A2	ECR-15-005665		10AUG2015	BDA	PKS	



- ① DIMENSION APPLIES WITH LEAF EDGE TOUCHING CARRIER SIDE OF BOX
- ② SLOT TERMINATES EITHER A SINGLE OR DOUBLE MAGNET WIRE OF THE SAME SIZE AND TYPE. COPPER RANGE: 0.25-0.36mm [#30-#27] AWG. ALUMINUM RANGE: 0.32-0.45mm [#28-#25] AWG. ALUMINUM WIRE RANGE APPLIES FOR POST-TIN PLATED VERSIONS ONLY.
- ③ POKE-IN ACCEPTS A 0.5-0.9mm² [#20-#18] AWG SOLID OR FUSED STRANDED LEAD WIRE.
- ④ APPLY BLUE COLORING TO THIS SURFACE DURING LOOSE PIECE OPERATION TO PROVIDE COLOR CODING OF MAGNET WIRE RANGE



62526-1
PART NUMBER

THIS DRAWING IS A CONTROLLED DOCUMENT.		DWN	R.GRZYBOWSKI	21JAN98	TE Connectivity TERMINAL, POKE-IN, LOOSE PIECE, MAG-MATE		
DIMENSIONS:		CHK	M.S.FEHER	21JAN98			
INCHES		APVD	N.E.NEFF	21JAN98			
TOLERANCES UNLESS OTHERWISE SPECIFIED: 0 PLC ± - 1 PLC ± - 2 PLC ± 0.25[.010] 3 PLC ± - 4 PLC ± - ANGLES ± -		PRODUCT SPEC	108-2012	NAME			
MATERIAL		APPLICATION SPEC	114-2046	SIZE	CAGE CODE	DRAWING NO	RESTRICTED TO
BRASS		FINISH	TIN PLATED	WEIGHT	-	A2 00779 C=62526	-
CUSTOMER DRAWING				SCALE	10:1	SHEET	1 of 1
				REV	A2		